



# DID 60LB

## New Concept Pin Oven Chain

D.I.D Pin Oven chain, also referred to as “Deco chain”, is a quality product that is primarily used to transport decorated and base coated cans through high speed & high heat ovens. Chain size and pin tip varieties are available on demand.

**- Wide clearance**

Wide clearance between outer and inner plates allows for chain lubrication to penetrate into the pin and bushing efficiently, preventing chain stretch.

**- Chain lube reduction**

Reduction of chain lubrication, due to the efficient and smooth penetration, results in less contamination (sludge/fume) over the chain and can.

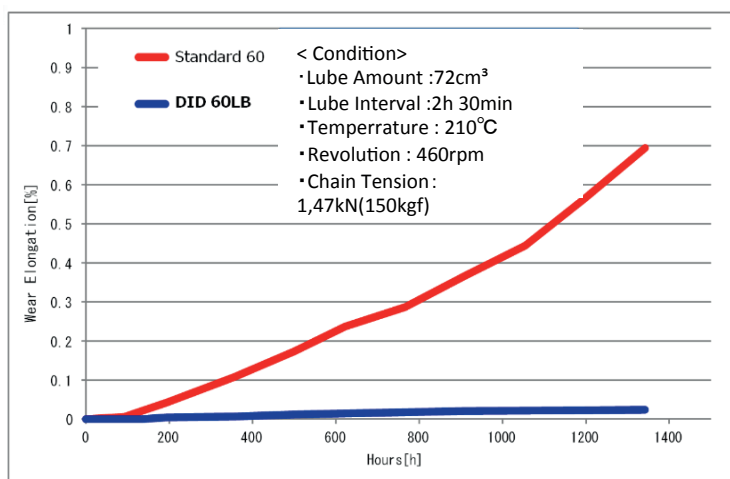
**- Stable long pin**

Bearing area between the pin and bushing is larger than ones of standard chain, resulting in the long pin being more stable with less vibration.

**- Picture**



**-Wear resistance**





# DID 60LB

## New Concept Pin Oven Chain

### - Feature

#### - Polished plates

Both the outer & inner plates have a polished and smooth surface, allowing for easy cleaning.

#### - Replacement of long pins

No-riveted pin can be easy to replace by long pins.

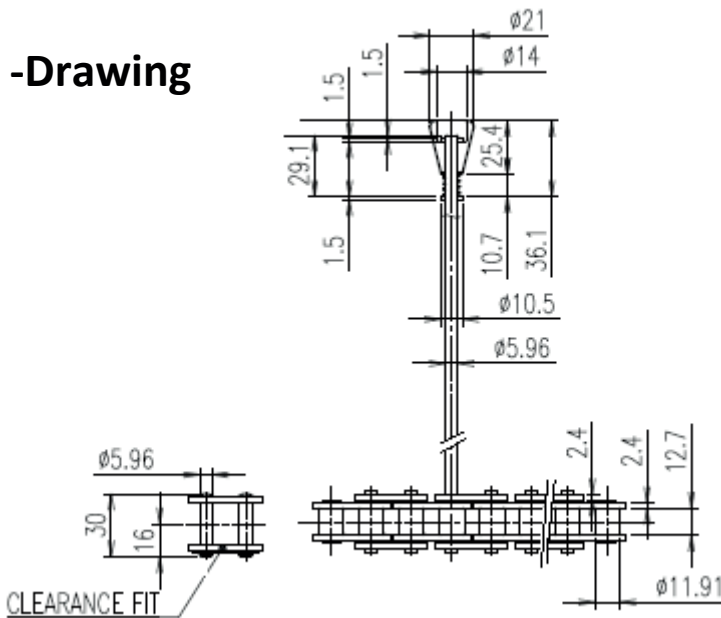
The spring clip type connecting link with long pin & peek tip are available for replacement.



Replacement  
Long pin



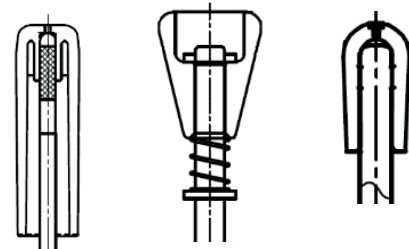
### -Drawing



### - Tip type

Various shapes, offers of material.  
For details, please contact us.

Example of Tip



Via del Fonditore, 16 40138 Bologna, Italy  
Tel: +39-051-531543  
Fax: +39-051-6014912  
www.dideu.it

Distributed by :